



User Manual

100V VOLUME CONTROLLER
BP-PA-VC60W



For Inquiries, Please contact:

Security Shop
Vladimira Popovica 6/6/A606
11070 Novi Beograd, Serbia
Tell: +381 11 318 68 68
office@securityshop.rs

Imported/Distributed by Security Shop doo
license of Blaupunkt
www.blaupunkt.com
Made in China

Enjoy it.

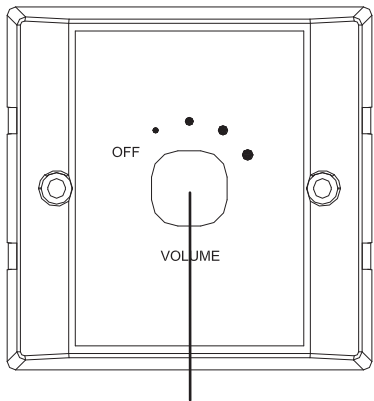
Product Description:

BP-PA-VC60W override volume controller is a high power volume controller with 24V override function for audio conferencing system.

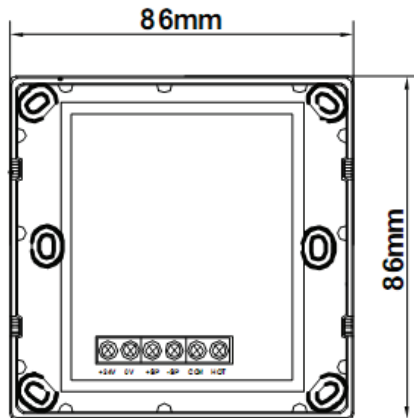
Features:

- With override function, fire fighting linkage.
- The power of the volume controller is 60W.
- 5 gear volume adjustment.

Appearance description:

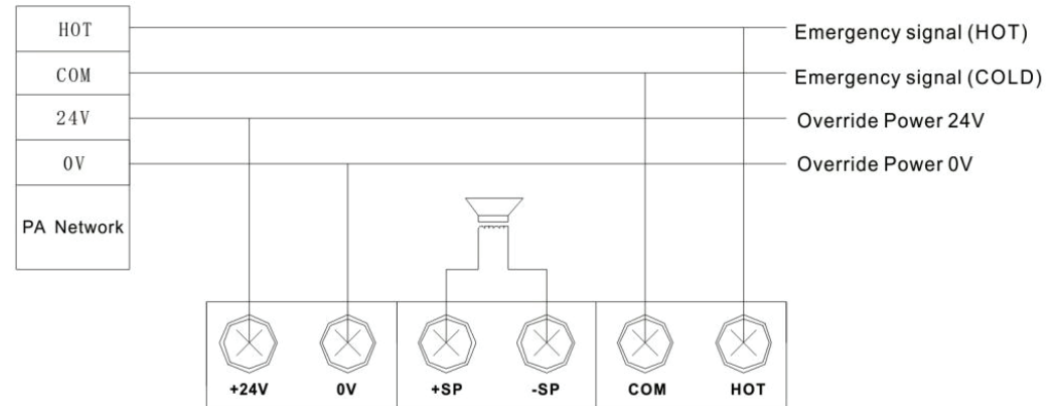


Volume control knob
(Front view)



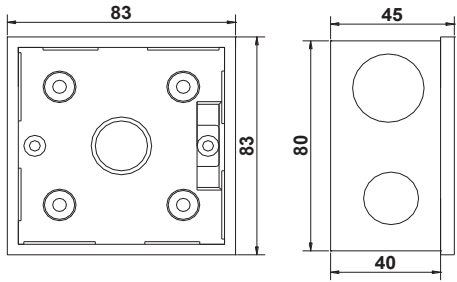
Dimension

Apply connection:



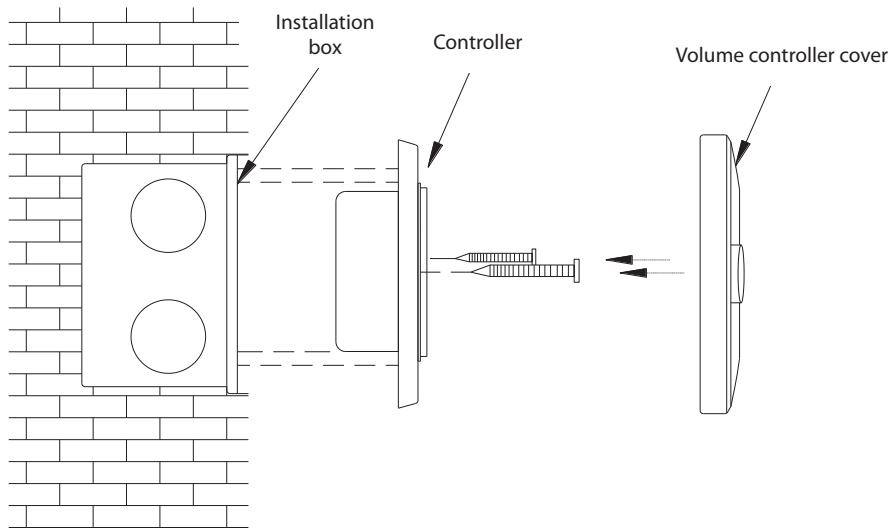
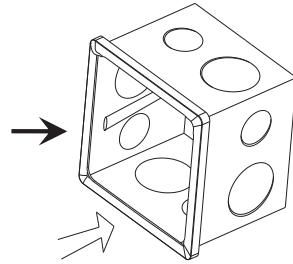
Installation steps:

1. When installing, please ensure that the depth of the bottom box of the volume controller is more than 50mm, or the optional 86 sound control box is provided by our company.
2. The embedded leader (audio input line and speaker connector) are connected to the volume controller on the back of it.
3. The volume controller is closed to the installation bottom box, then fixed with screws.
4. Cover the volume controller (the panel alignment of the volume controller then press hard) can be installed.



Mounting Box Dimension

Installation box in the wall installation direction diagram



Note: Make sure the volume knob of the volume controller is tuned to the smallest gear before connecting the leader to the volume controller, and ensure that the volume controller is installed and connected without charging all the machines.

Specification:

| Model: BP-PA-VC60W | |
|--|--|
| Type | Five Gear Volume Control |
| Rated power | 60W |
| Override signal | 24V DC 10mA |
| Gear output (Input 1kHz/100V, Load=82Ω, distortion degree <1%) | STEP : 0V (off) STEP1 : 13(±2) V STEP2 : 26(±2) V STEP3 : 51(±2) V STEP4: 100V |
| Gear Freq. Response (Normal operating conditions (-3DB)) | STEP1 : 70Hz ~ 18kHz STEP2 : 70Hz ~ 18kHz STEP3 : 70Hz ~ 18kHz |
| Input DC24V override signal output (position switch can be placed at any location) | 100V (Input 1KHZ/100V, Load=82Ω, distortion<1%) |