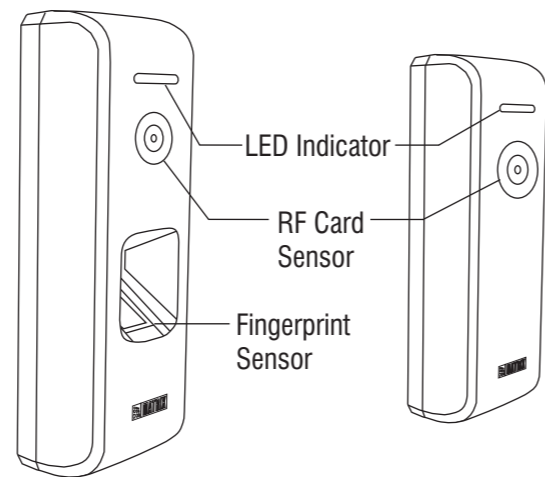


DOOR CONTROLLER

HYU-AC-NCDCCF00 1

USER MANUAL

The Compact Door Controller



Quick Installation Guide

Please read this guide first for correct installation and retain it for future reference. The information in this guide was current at the time of publication. However, Hyundai reserves the right to make changes in product design and specifications without prior notice.

Copyright

All rights reserved. No part of this document may be copied or reproduced in any form or by any means without the prior written consent of Hyundai.

Warranty

Limited Warranty. Valid only if primary protection is provided, mains supply is within limit and protected, and environment conditions are maintained within product specifications. Complete warranty statement is available on our website:

Know Your Controller

What Your Package Contains - DCFX/DCCX

- Power Adapter 12VDC, 2 Amp
- Mounting Plate
- 2 Screws 5/25
- 2 Screw Grips
- Power Supply Cable with DC Jack
- Ethernet Port Cable with RJ45 Plug
- 10 Pin Cable Assembly with Strip Connector
- 5 Pin Cable Assembly with Strip Connector
- 120 Ω, 1%, 0.25W RS-485 Termination Resistor
- Quick Installation Guide (Printed)
- Warranty Card (Printed)

What Your Package Contains - RDFX/RDCX

- Mounting Plate
- 2 Screws 5/25
- 2 Screw Grips
- 15 Pin CDC to CDC Cable Assembly
- 15 Pin CDC Converter Cable Assembly
- Quick Installation Guide (Printed)
- Warranty Card (Printed)



WARNING

- Installation and servicing should be done only by a qualified technician.
- There are no user-serviceable parts inside.
- Opening or removing the device cover may result in electric shock or exposure to other hazards.
- Use this product only for the purpose for which it was designed.

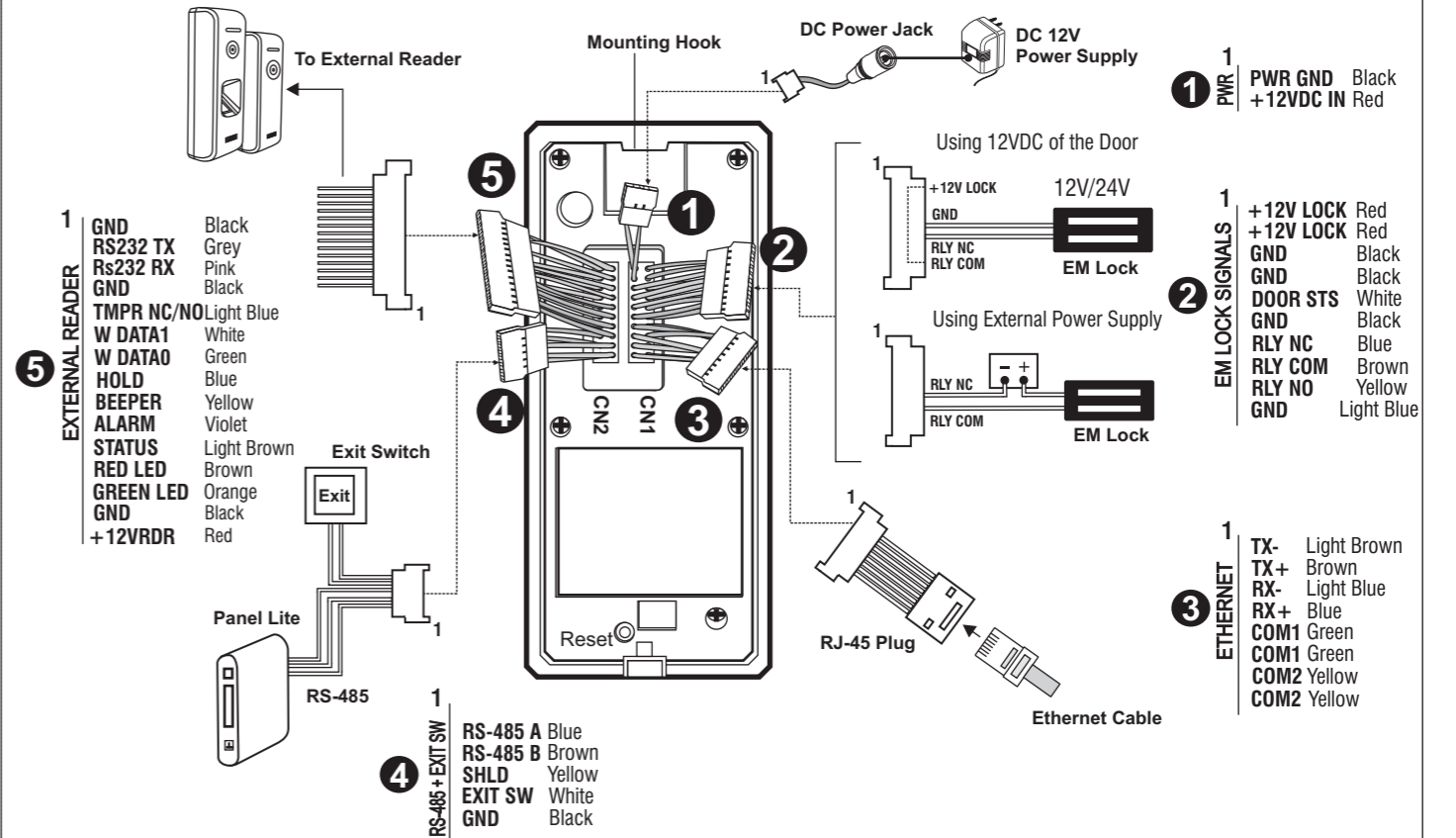
Things You Will Need

- A Power Hand Drill
- A Wire Stripper
- A Screw Driver Set
- Insulation Tape
- Access to the COSEC Server Application to Configure COSEC PATH on the Server
- A Stand-alone Computer with a Web Browser to change the Network Settings of COSEC PATH

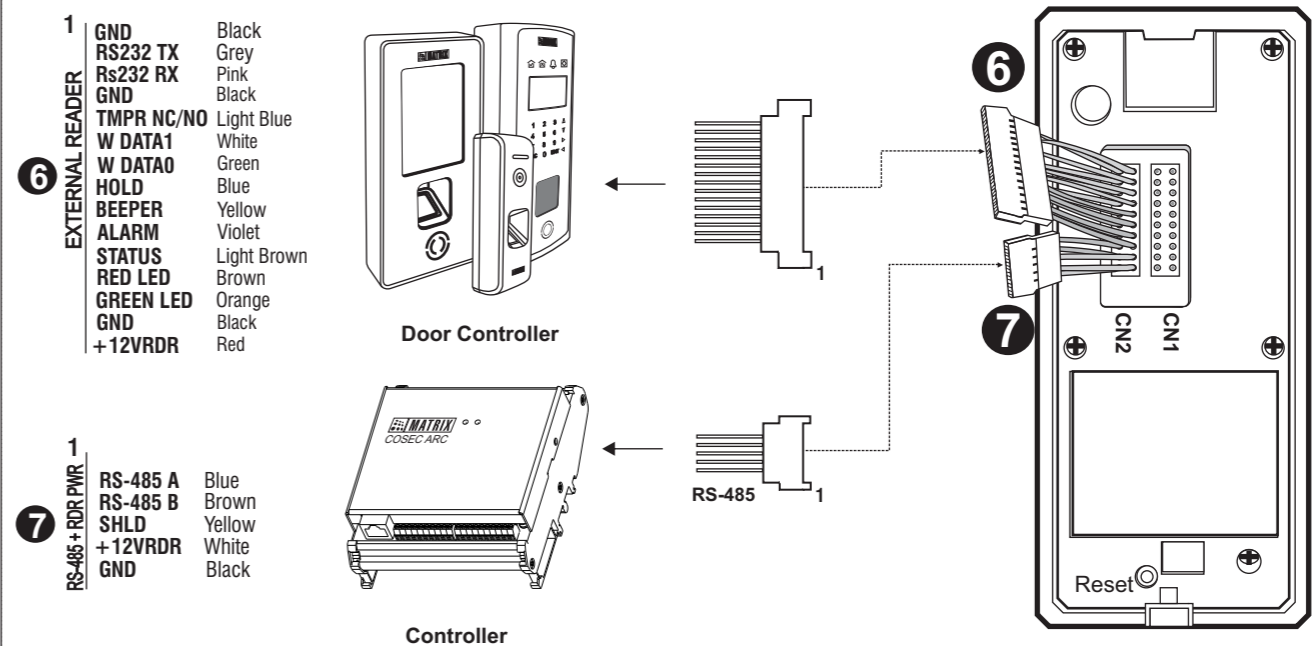
Environmental Specifications

Operating Temperature Range: -20 to +60 degrees Centigrade
Humidity Range: 5 to 95% RH Non-Condensing

Door Controller



Reader



Variants

Here X stands for E/M/I/P where, E = EM Prox, M = Mifare, I = HID iCLASS, P = HID Prox

Variants

Variants	Weight	Dimension
DCFE, DCFM, DCFI, DCFP	0.234kg	159x50x39mm
DCCE, DCCM, DCCI, DCCP	0.154kg	136x50x31mm
RDFE, RDFM, RDFI, RDFP	0.201kg	159x50x39mm
RDCE, RDCM, RDCI	0.120kg	136x50x31mm

Installation Instructions - Concealed Wiring

Step 1 Trace holes A, B & C. Drill Holes along markings

Mounting Plate

DCFX DCCX

Step 2 Fix Mounting Plate with supplied screw grips & screws

DCFX DCCX

Screw
Screw grip
Hole

Step 3 Connect cables and lead cables through rectangular opening on the wall

DCFX DCCX

Fix Mounting Hook here

Align on mounting plate and slide downwards.

Step 4 When in place, tighten captive screw at bottom

DCFX DCCX

Installation Instructions - Non-Concealed Wiring

Step 1 **
Fix Duct Box Base Plate on Installation Surface using supplied screws & screw grips

DCFX

Duct Box Base Plate

Step 2 Fix Mounting Plate on Duct Box Top Cover

DCFX

Duct Box Top Cover
Mounting Plate

Step 3 Align on mounting plate and slide downwards.

DCFX DCCX

Step 4 Connect cables and lead cables through bottom opening of Duct Box

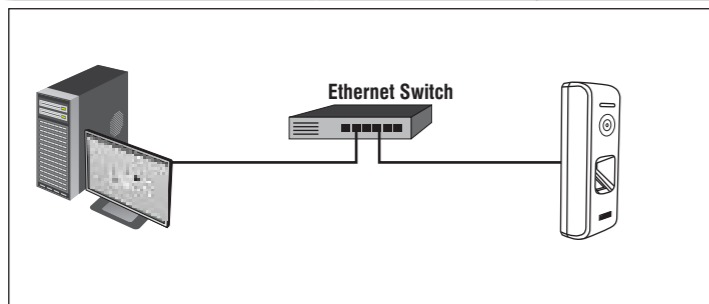
DCFX DCCX

Cables

Step 5 Fix Top Cover to Base Plate by sliding Mounting Hook of top cover into the Mounting Slot of base plate. Tighten screws at the bottom as shown.

DCFX DCCX

Connecting to Server

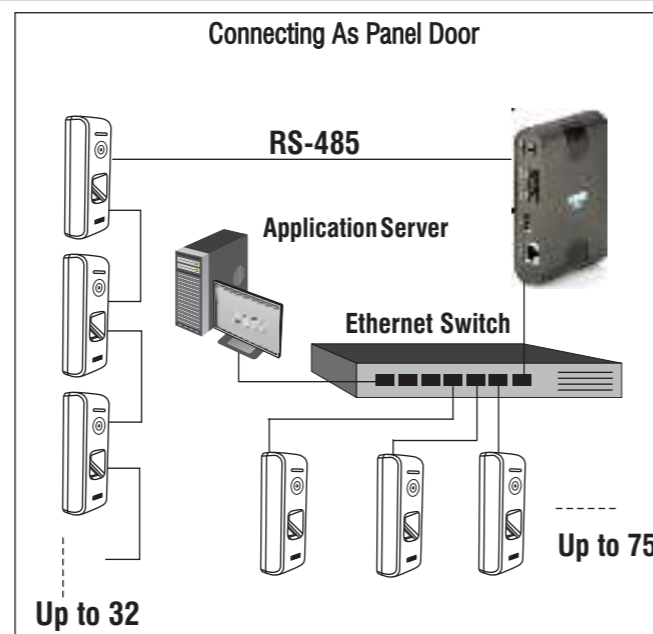


Assigning IP Address & Other Network Settings

- Open a Web browser on your computer.
- Enter the IP address of the PATH Controller (default: <http://192.168.50.50>), in the address bar of the browser and press the Enter key on your computer keyboard.
- When prompted, enter the login credentials for the Door.

Default Username: **Admin**
 Default Password: **1234**
- Click **OK**. On the Door Web page, select the **Network** tab and enter the required network configuration such as Door IP address, Server IP address etc.
- Save the Settings.

Connecting As Panel Door



CAUTION

- Do not install the device:
- On unstable surfaces.
 - Where ferromagnetic field or noise is induced.
 - Where static is created, such as desks made of plastics, carpets.
 - Near volatile inflammable materials or inflammable goods such as drapes.
 - Where volatile gas and/or inflammable gas is created.

** The duct box shown in the illustration is not a part of the product package and must be purchased separately.

FCC Compliance

This device complies with part 15 of the FCC rules. Operation is subject to the following two conditions:

1. This device may not cause harmful interference.
2. This device must accept any interference received, including interference that may cause undesired operation.

This equipment has been tested and found to comply with the limits of Class A digital device, pursuant to part 15 of the FCC Rules.

These limits are designed to provide reasonable protection against harmful interference when the equipment is operated in a commercial environment.

This equipment generates, uses and can radiate radio frequency energy and, if not installed and used in accordance with the instruction manual, may cause harmful interference to radio communications. Operation of this equipment in a residential area is likely to cause harmful interference in which case the user will be required to correct the interference at his own expense.

Warning
This is a Class A product. In a domestic environment this product may cause radio interference in which case the user may be required to take adequate measures.

LED Status Indicators

Device Status	LED Indication
Power ON	Blue ON/OFF
Online	Light Blue ON
Offline	Red ON
Degraded Mode	Orange ON

For Inquiries, Please Contact:

Security Shop
Vladimira Popovica 6/6/A606
11070 Novi Beograd, Serbia
Tell +381 11 318 68 68
office@securityshop.rs

Imported/Distributed by Security Shop Doo
Licensed by Hyundai Corporation Holdings, Korea
Delivery and After Service shall only be covered within Serbia