



User Manual

100V WALL MOUNT SPEAKER
BP-PA-SP20W-OUT



For Inquiries, Please contact:

Security Shop
Vladimira Popovica 6/6/A606
11070 Novi Beograd, Serbia
Tell: +381 11 318 68 68
office@securityshop.rs

Imported/Distributed by Security Shop doo
license of Blaupunkt
www.blaupunkt.com
Made in China

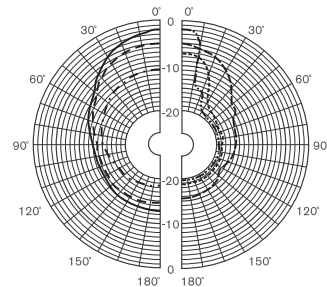
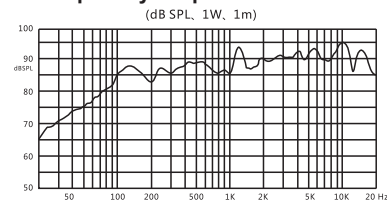
Enjoy it.

Contents

Introduction	1
Profile of Product	1
Product features	1
Material characteristics	1
Product Information	2
Installation	3
U-shape Bracket Installation	3
Multi-angle Adjustable Bracket Installation	4
Technical Parameters	5
Packing List	5

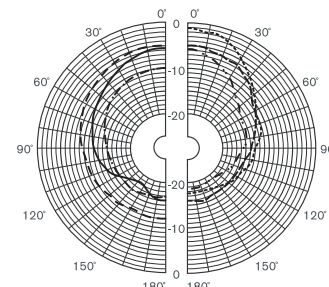
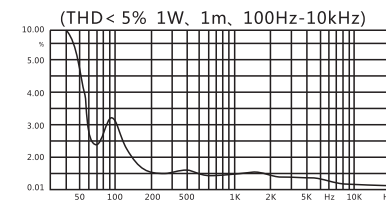
Technical Parameters

Frequency response characteristics



Vertical directivity pattern

Distortion characteristic



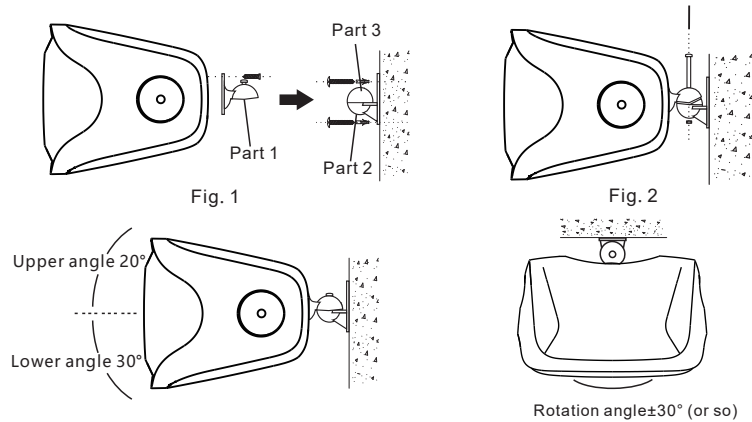
Horizontal directivity pattern

Item	Model	BP-PA-SP20W-OUT
Speaker Unit		4"×1, 1"×1
Work Voltage		100V
Rate Power(RMS)		20W
Freq.Resp. Range		95Hz-20kHz
Sensitivity (1m, 1W)		90±2dB
Max. SPL (1m)		103±2dB
Dimension (H×W × D)		268×156×174
Net Weight		2.3kg

Packing List

Component	Quantity
Wall mount speaker (pair)	1
U-shape bracket	1
Product specification	1
Certificate of quality	1
Warranty card	1

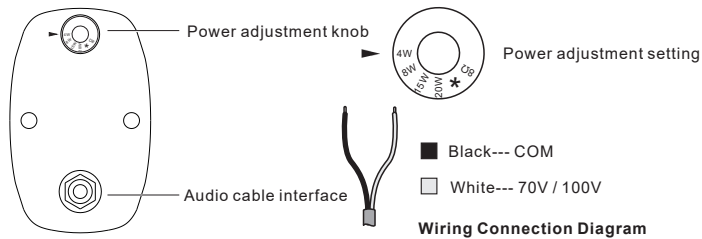
Multi-angle adjustable bracket installation



① Unscrew the multi angle adjustable type bracket knob screw firstly, separate part 1, part 2 and part 3. Fix the speaker and the part 1; select the appropriate position on the wall to fix the part 2. (Fig. 1)

② Connect the speaker with the audio cable (refer to wiring connection diagram), different power will be obtained at different voltage (See Audio Terminal Table)

③ Cover part 1 of the speaker on the sphere of part 2 and part 3; adjust the speaker's angle, fix the part 1, part 2 and part 3 with a knob screw firmly. (Fig. 2)



⚠ Notification:

When the audio line is the constant voltage, it is prohibited to adjust the knob to the 8Ω. Do not adjusting to " " under state at 100V which will cause speaker damage!

Power Terminal	Voltage	Constant Voltage		Constant Resistance
		70V	100V	
Black---White		20W	*	20W
		15W	20W	
		8W	15W	
		4W	8W	
		2W	4W	

Audio Terminal Table

Introduction

Thanks for using our speaker products. All our products are tested strictly before leaving the factory, with guaranteed quality.

Our speakers are widely used in such places as schools, gymnasiums, square halls, parks, parking lots, railway stations, airports, villa communities, mall supermarkets and etc., and they will be your ideal choice for public address system.

For better installation, commissioning and use of the product, please read this manual in detail before installation.

Profile of Product

Product features

- Focus on sound quality, equipped with high pitch and low pitch double unit, clear sound level, mellow, transparent, clear and bright, strong bass;
- Worked with multiple functional model: can select to match with constant-voltage amplifier to realize long-distance transmission or can directly connect audio source to play and etc., satisfy needs of various application environment;
- Streamlined design, using high-quality plastic injection-molded shell with high-quality aluminum mesh, sturdy and durable;
- Novel appearance, obtain design patent certificate;
- Available in black and white, decorative style for different places.

Material Characteristics

Mesh: made of 1060 pure aluminum, subject to hardening and anti-oxidation treatment, not easy to cause deformation, and never get rusty;

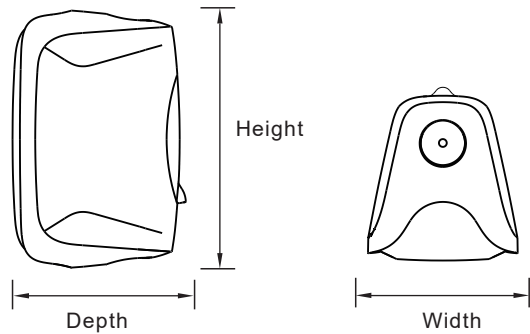
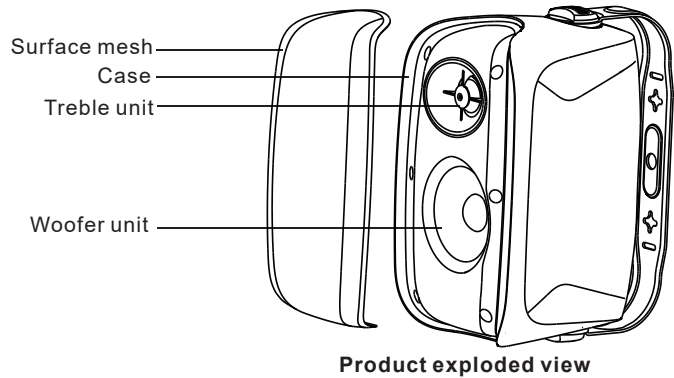
Box body: injection molding that using high quality plastic, durable in use, safe and reliable;

Driver unit: injection the tweeters diaphragm is made of natural silk diaphragm, the bass diaphragm is made of polypropylene materials, 3.5 inch magnetic circuit;

Transformer: E-type pure copper turn audio transformer to ensure the fidelity of audio output;

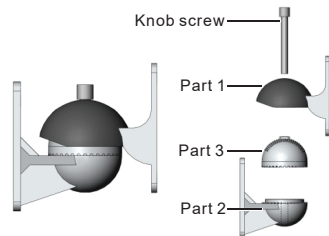
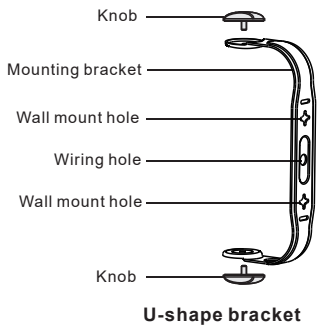
Mounting bracket: precision rust-proof treatment.

Product Information



Model	Height	Width	Depth
BP-PA-SP20W-OUT	268	156	174

Product dimension (unit mm)

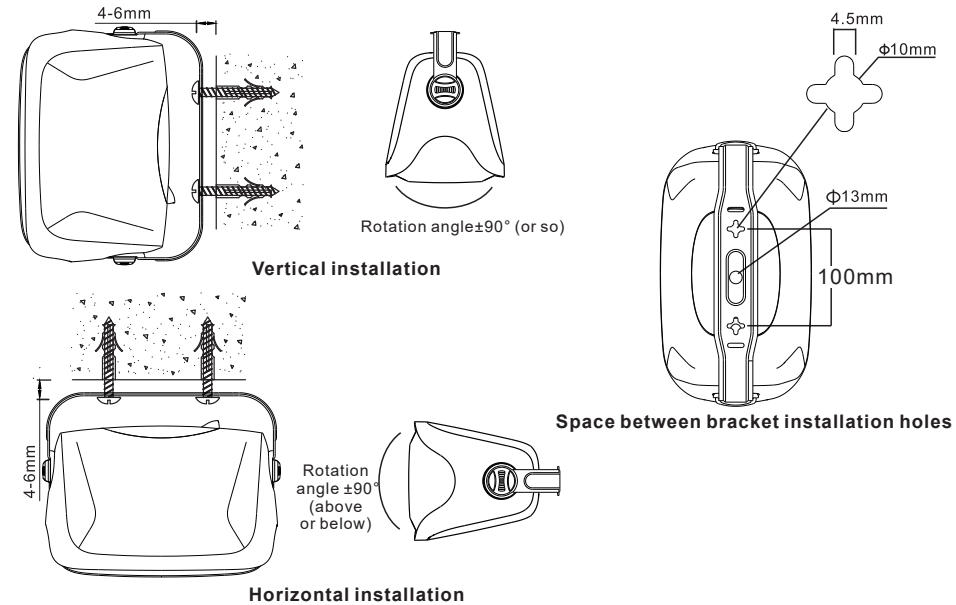


Mounting Bracket

Installation

Suggestions for the installation position of the speakers: distance to the ground of the speaker is recommended at 1.8-2 m, the best play interval between the speakers is within 5 meters.

U-shape bracket installation



This bracket supports vertical and horizontal two installation methods, please choose the best way that meets your needs to install.

- ① In accordance with the diagram *Space between bracket installation holes*, select the appropriate location to install two 4mm diameter nail on the wall that needs to install the speaker, clearance between the nail cap and the wall is 4-6mm.
- ② Connect the speaker with the audio cable (*refer to wiring connection diagram*), different power will be obtained at different voltage (*See Audio Terminal Table*)
- ③ Hang on the speaker, adjust the angle of the speaker, and tighten the knobs on both ends of the bracket and check whether the installation is solid and reliable.