

INTRODUCTION

The keypad is a simple entry standalone Access Control with integrated card reader. It is an easy to install and operate device, designed in E wave for mounting, with user-friendly programming. The compact design makes it a good choice for door access.

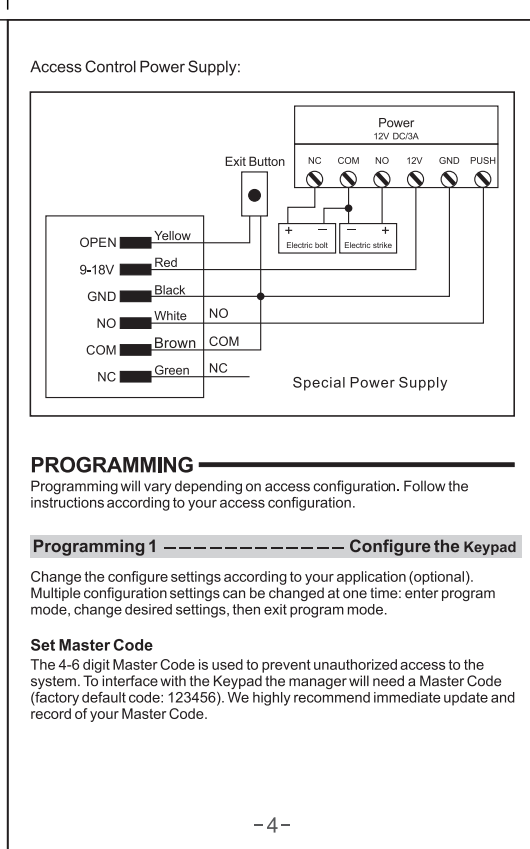
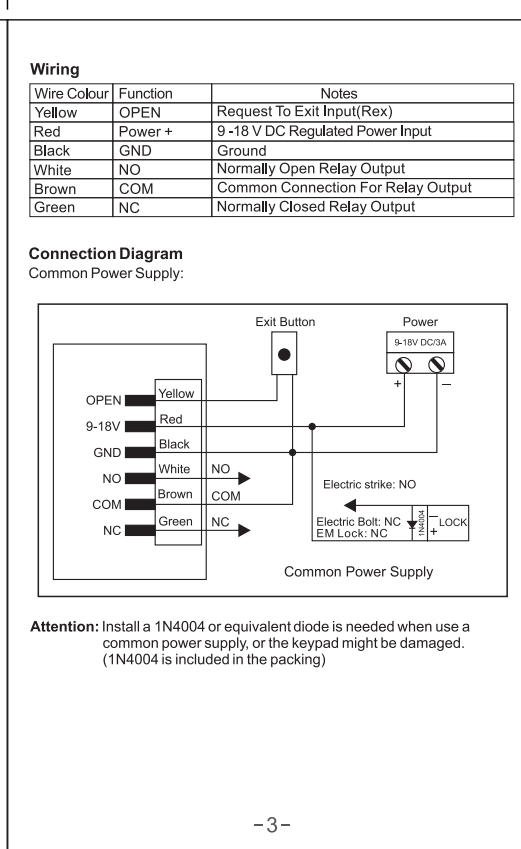
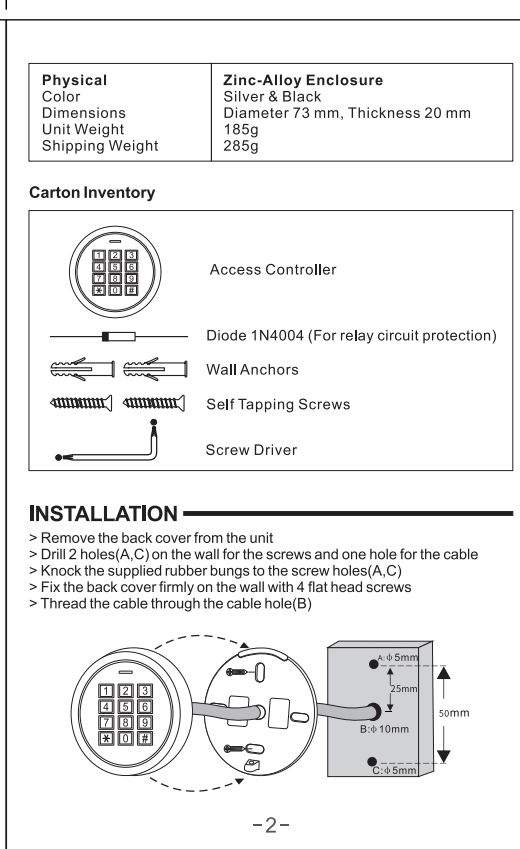
The device is housed in a strong Metal case. It supports up to 1000 users in multiple access configurations (Card Only, Card or PIN or Card + PIN). The built-in card reader supports 12501 EM card.

Features

- Multi-color LED Status Display
- Door Programmable Relay Output
- >1000 Users (100 Normal Users / 10 Visitor Users)
- Access Modes: Card, PIN, Card + PIN
- Low Power Consumption (Standby)
- Anti-tamper Alarm
- Latch Mode To Hold Door Or Gate Open
- Waterproof, Conforms to IP66

Specifications

User Capacity	1000 Cards/PINs
Normal Users	990
Visitor Users	10
Operating Voltage	9-18V DC
Inlet Current	50mA
Active Current	30mA
Keypad	12 Keys
Proximity Card Reader	EM 12501 EM Card 2.4cm
Radio Technology	RFID
Read Range	1.2m
Wiring Connectors	Header Jumper, Exit Button
Relay	One (NO, NC, Common)
Adjustable Relay Output Time	0-99 Seconds (1 second default)
Lock Output Load	2 Amps Maximum
Environment	Outdoor
Operating Temperature	-40°C ~+60°C, -40°F ~+140°F
Operating Humidity	10%~90%, Non-condensing



Programming Step

Programming Step	Keystroke Combination
1. Enter Program Mode	* (Master Code) #
2. Update Master Code	0 (New Master Code) # (Repeat New Master Code) #
3. Exit Program Mode	*

Set Access Configuration

There are 3 types of access configurations for the Keypad

- **Card or PIN (Default):** The User must present a valid Card to the Keypad or enter the PIN code followed by the # key, in order to be granted access.
- **Card Only:** The User must present a valid Card to the Keypad in order to be granted access.
- **Card + PIN:** The User must first present a valid Card to the Keypad and then enter their PIN code followed by the # key, in order to be granted access.

Programming Step

Programming Step	Keystroke Combination
1. Enter Program Mode	* (Master Code) #
2. Card or PIN	3 0 # (factory default)
OR	3 1 #
3. Card + PIN	3 1 #
OR	3 2 #
4. Card only	3 2 #
5. Exit Program Mode	*

Set Relay Configuration

The relay configuration sets the behaviour of the output relay on activation.

Programming Step

Programming Step	Keystroke Combination
1. Enter Program Mode	* (Master Code) #
2. Pulse Mode	4 (1-99) # (The relay time is 1-99 seconds. Default is 5 seconds.
OR	4 0 #
3. Latch Mode	4 0 # (Set the relay to ON/OFF Latch mode)
4. Exit Program Mode	*

Mini Keypad - Simplified Instruction

Function Description	Operation
Enter the Programming Mode	* (Master Code) # (123456 is the factory default master code)
Change the Master Code	0 (New Master Code) # (Repeat New Master Code) # (enter 4-8 digit)
Add Card User	1 (Read Card)
Add PIN User	1 (User ID) # (PIN) # OR 1 (PIN) # (The ID number is any number between 0-999. The PIN is any 4-8 digit between 0001-99999)
Delete User	2 (Read Card) # 2 (PIN) # # 2 (User ID) #
Exit from the programming mode	*
Card User	Read Card
PIN User	Enter (PIN) #

Set Alarm Time (Apply for Strike-out Alarm, Anti-tamper Alarm)

Programming Step	Keystroke Combination
1. Enter Program Mode	* (Master Code) #
2. Set alarm timer	5 (0-3) # (Factory default is 1 minute)
3. Exit Program Mode	*

Set Strike-out Alarm

The strike-out alarm will engage after 10 failed card/PIN attempts in 10 mins. Default is OFF. The strike-out alarm can be set to deny access for 10 minutes after engaging or it can be set to disengage only after entering a valid card/PIN or Master code (Press exit button can open the door when the keypad is deny access mode)

Programming Step	Keystroke Combination
1. Enter Program Mode	* (Master Code) #
2. Strike-Out OFF	6 0 # (factory default)
OR	6 1 # (Access will be denied for 10 minutes)
3. Strike-Out ON	6 2 # (The buzzer alarms)
4. Exit Program Mode	*

Programming 2 - Program Cards and PINs

Programming will vary depending on the access configuration. Follow the instructions according to your access configuration.

GENERAL PROGRAMMING INFORMATION

Valid ID Number: Assign a user ID number to the access code in order to keep track of the users of access cards or PINs. The normal user ID can be any number from 0-999, and the 10 groups of visitors from 990-999.

IMPORTANT: User IDs do not have to be proceeded with any leading zeros. Regardless of User ID's actual length. Modifications to user data require either the edit or the User ID to be available.

Proximity Card: 125 KHz EM Card

Keypad PIN: The PIN can be any 4-8 digits between 0001-99999 (except 1234 which is reserved)

ACCESS CONFIGURATION: CARD OR PIN & CARD ONLY

Add User Cards

Programming Step	Keystroke Combination
1. Enter Program Mode	* (Master Code) #
2. Add Card: Using Auto ID (Always Program to Assign Card to next available User ID number)	1 (Read Card)
OR	2 (Add Card)
3. Add Card: Select Specific ID (When manager's believe a specific User ID to associate the card)	1 (User ID) # (Read Card)
OR	2 (Read Card)
4. Exit Program Mode	*

Delete User Cards

Programming Step	Keystroke Combination
1. Enter Program Mode	* (Master Code) #
2. Delete Card: By card	2 (Read Card)
OR	2 (Read Card)
3. Delete Card: By User ID	2 (User ID) #
4. Exit Program Mode	*

Add or Delete a PIN

Programming Step	Keystroke Combination
1. Enter Program Mode	* (Master Code) #
2. Add a PIN	1 (User ID) # (PIN) # OR 1 (PIN) # (The ID number is any number between 0-999. The PIN is any 4-8 digit between 0001-99999 with the exception of 1234 which is reserved)
OR	2 (Delete a PIN)
3. Exit Program Mode	*

Change a PIN

This operation is executed from outside of Program Mode.

Programming Step	Keystroke Combination
1. Change a PIN	1 (User ID) # OR 2 (PIN) # (PIN can be deleted continuously)
2. Delete a PIN	2 (User ID) # OR 2 (PIN) # (PIN can be deleted continuously)
3. Exit Program Mode	*

ACCESS CONFIGURATION: CARD-PIN

Add a Card + PIN User

Programming Step	Keystroke Combination
1. Enter Program Mode	* (Master Code) #
2. Add a User Card by ID number	1 (User ID) # (Read Card)
OR	2 (Read Card)
3. Add PIN	1 (Read Card) # (PIN) # (New PIN) # (New PIN) # (This operation is executed from outside of Program Mode)
4. Exit Program Mode	*

Change PIN

Allows card user to update the PIN for their card + PIN User ID. This operation is executed from outside of Program Mode.

Programming Step

Programming Step	Keystroke Combination
1. Change PIN using a Card	* (Master Code) # (New PIN) # (New PIN) # (Default PIN binding to Card 124)
OR	* (User ID) # (Old PIN) # (New PIN) # (New PIN) #
2. Delete PIN using ID	* (Master Code) # (User ID) #
3. Exit Program Mode	*

Delete User by User ID

Deleting by ID number will clear cards and PINs

Programming Step	Keystroke Combination
1. Enter Program Mode	* (Master Code) #
2. Delete User by User ID	2 (User ID) #
3. Exit Program Mode	*

Visitor User Setting

There are 10 groups Visitor PIN/card available, the users can be specified up to 10 groups of usage, after a certain number of times, i.e. 5 times, the PIN/Card become invalid automatically.

Programming Step	Keystroke Combination
1. Enter Program Mode	* (Master Code) #
2. Add Visitor PIN User	8 (0-9) # (User ID) # (PIN) #
OR	2 (Add Visitor Card User)
3. Delete Visitor Users	8 (0-9) # (User ID) # (Read Card) #
4. Exit Program Mode	*

Note:

- Number of time is 0-9, 0-10 times
- User ID number must be any number between 990-999
- Visitor PIN/Card must be unique, should be distinguished from common PIN and card

OTHERS

Reset to Factory Default:

- Power off
- Press the button, hold it and power on
- There will be two beeps, release the button, then will have one beep
- The keypad reset to factory default successfully.

Remark: Reset to factory default, the user's information is still retained.

Erase all Users

This will delete ALL User data.

- Enter Program Mode by press * (Master Code) #
- Press 2000#
- Exit *

All configuration data is retained.

Reset Strike-out Alarm

Enter Master Code or Valid Card/PIN to silence

Sound and Light Indication

Operation States	Red LED	Green LED	Sounds
Power on	Light	Off	Short Single BEEP
Standby	Light	Off	Short Single BEEP
Press Keypad	Flashing	Off	Short Single BEEP
Enter Master Code Entry Mode	On	Off	Short Single BEEP
In program mode	On	Single Flash	Short Single BEEP
Success #	On	Single Flash	Short Single BEEP
Delayed Program Step Incomplete	On	Single Flash	Short Single BEEP
Exit from the programming mode	Off	Off	Short Beep
Entry Deleted	Bright	ON	Short Single BEEP
Open lock	Green light on	Off	One beep
Alarm Mode Engaged	Flashing	Off	Alarm
Alarm	Blinking Green	Off	Beeper
Program's "Toggle Switch" / Master Code Entry	On/Flashing	Off	Short Single BEEP

Notes

