



User Manual

100V COAXIAL FRAMELESS CEILING SPEAKER
BP-PA-SP35W-8C



For Inquiries, Please contact:

Security Shop
Vladimira Popovica 6/6/A606
11070 Novi Beograd, Serbia
Tell: +381 11 318 68 68
office@securityshop.rs

Imported/Distributed by Security Shop doo
license of Blaupunkt
www.blaupunkt.com
Made in China

Enjoy it.

Introduction

Thank you for choosing our products. All products have been rigorously tested before leaving the factory, abide by the quality of commitment. This product is widely used in schools, gymnasiums, square venues, parks, parking lots, railway stations, airports, villas, shopping malls and other places, which is the ideal choice for public address.

In order to facilitate your installation, commissioning and use of this product, please read this manual before installation.

Product Overview

This product is a coaxial two-way ceiling speaker, with a wide diffusion angle, large output power, easy installation, and super-strong reproduction of voice and music. It is an ideal choice for you to install the ceiling speaker with superior sound quality.

Product Features

- Adopt the stylish ultra-narrow design, combined with the RAL white coating, to be perfectly integrated into any indoor occasion.
- With 8" woofer, magnetic circuit coated by a special process of engineering plastics, and pressed black polypropylene cone-shape drum paper, waterproof and moistureproof, and with optional rear cover for stronger low-frequency sound.
- With a 14-core tweeter for clear and bright treble, and the diffractive loading of the treble for wide and uniform coverage.
- Compliance with IEC 268-5 power handling capability (PHC) standard, it can work continuously for 100 hours at rated power. With Simulated Acoustic Feedback Exposure (SAFE) test, it can withstand twice the rated power in a short period of time, which ensures the high reliability of the speaker under extreme conditions, prolongs the service life and significantly reduces the chance of failure or performance degradation.
- With flexible movable clamp design, easy to install, durable and reliable.

Model	BP-PA-SP35W-8C
Driver Unit	8"×1
Rated Power_(RMS)	35W
Rated Input	70V/100V
Sensitivity_(1m,1W)	88±3dB
MAX. SPL. (1m)	103±3dB
Freq. Resp.	55Hz-20KHz
Dimensions	Φ262×100mm
Weight	2kg

Packing List

Componnets	Quantity
Ceiling Speaker	1 piece
Hole Template	2 pieces
User Manual	1 copy
Certificate	1 copy
Warranty Card	1 copy

- ⑥ Put the mesh back, and the magnetic dots in the speaker rim will firmly attract the mesh (as shown in Figure 5).

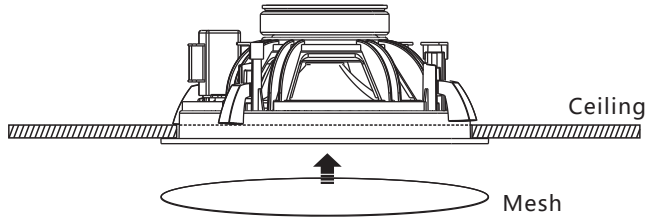
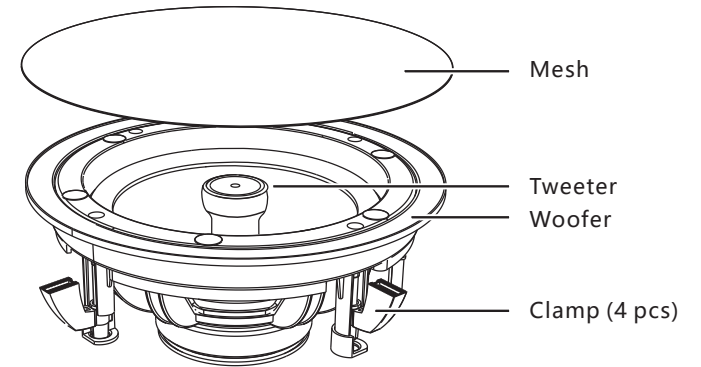


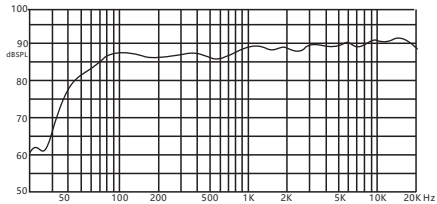
Figure 5

Product Information



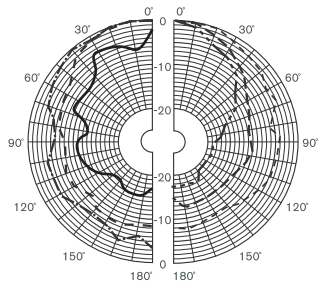
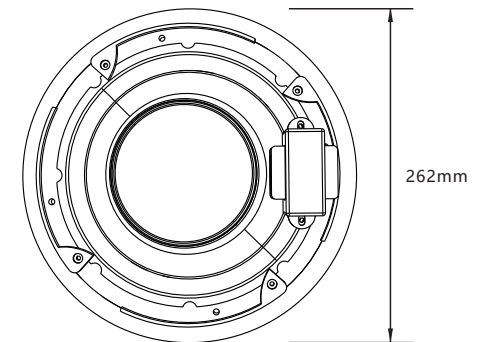
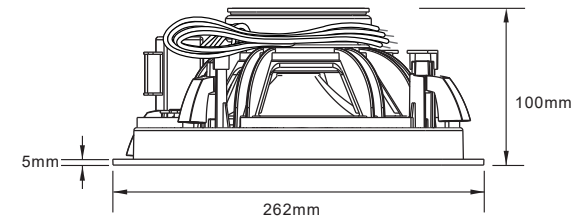
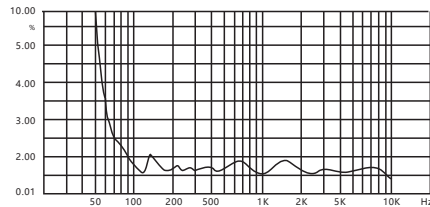
Technical Parameters

Frequency Response (dB SPL, 1W, 1m)



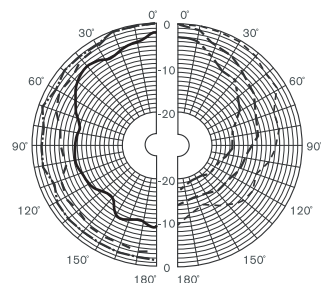
Distortion

(THD < 5% 1W, 1m, 100Hz-10kHz)



- - - 250 Hz - - - 2000 Hz
 - - - 500 Hz - - - 4000 Hz
 - - - 1000 Hz - - - 8000 Hz

Vertical Directivity Pattern



- - - 250 Hz - - - 2000 Hz
 - - - 500 Hz - - - 4000 Hz
 - - - 1000 Hz - - - 8000 Hz

Horizontal Directivity Pattern

Installation

- ① Please mark the size of the mounting hole on the ceiling with the circular template provided with the speaker, and cut a mounting hole in the ceiling (as shown in Figure 1, with the diameter of the hole of 230-235mm).

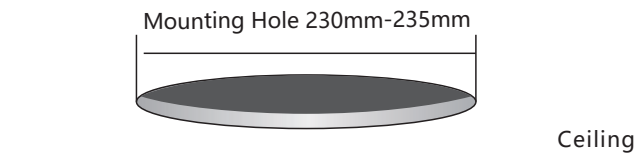
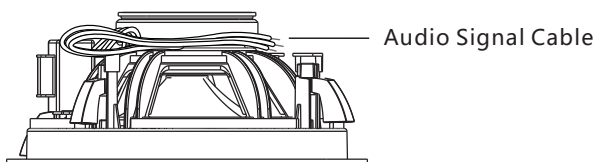


Figure 1

- ② Connect the audio signal cable. Please select the appropriate terminal for wiring according to the actual power requirements and the following table.



Power Terminal	Line Voltage	70V	100V
Black---Blue		9W	18W
Black---Whit		18W	35W

- ③ Push any two clamps of the speaker towards the mesh, and the screws on the clamps will be pushed out of the speaker mesh, and then remove the mesh and put it in a place (as shown in Figure 2).

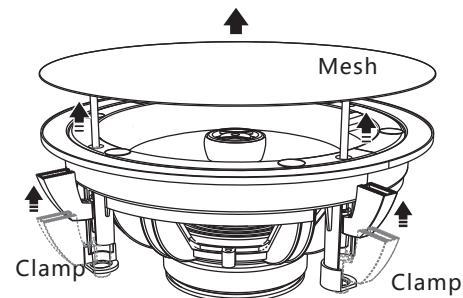


Figure 2

Carefully push the speaker into the mounting hole, and rotate the clamp screws to adjust the position of the clamp so that the clamp can hook the ceiling (as shown in Figure 3).

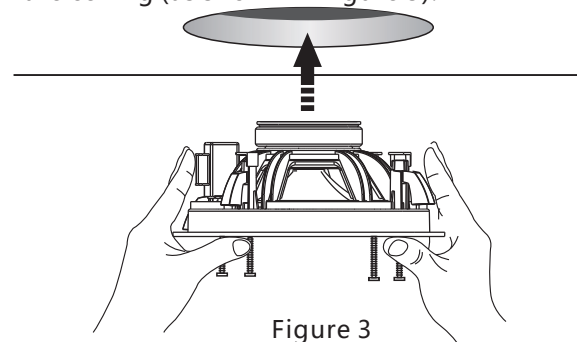


Figure 3

- ⑤ Tighten the four screws to secure the four clamps, so that the clamps can firmly tighten the ceiling (as shown in Figure 4).

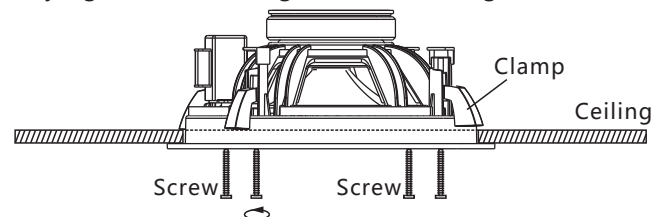


Figure 4