

Input and output expander *iO-8*

Quick installation guide

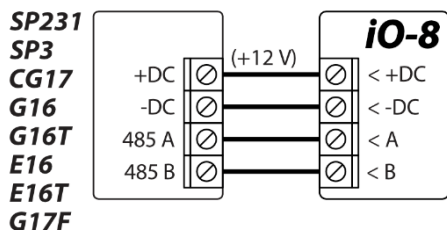
With expander *iO-8* you can increase the number of inputs and outputs in a compatible **TRIKDIS** device.

iO-8 has 8 contacts, which can be set to either input or output mode.

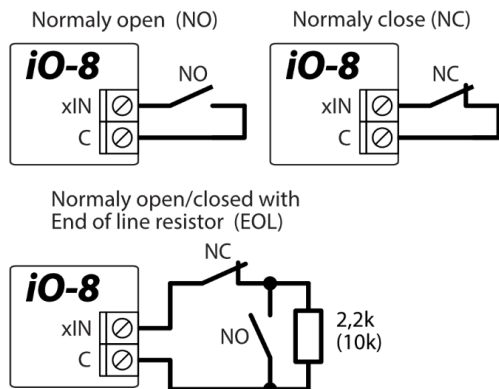
Visit *iO-8* page on trikdis.com for device specifications and an up-to-date list of compatible **TRIKDIS** devices.

Follow these steps to set up *iO-8*:

1. Wire *iO-8* to a compatible **TRIKDIS** device as shown:

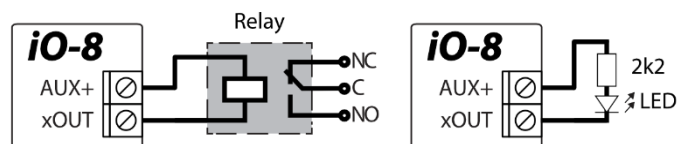


2. Wire inputs as shown:



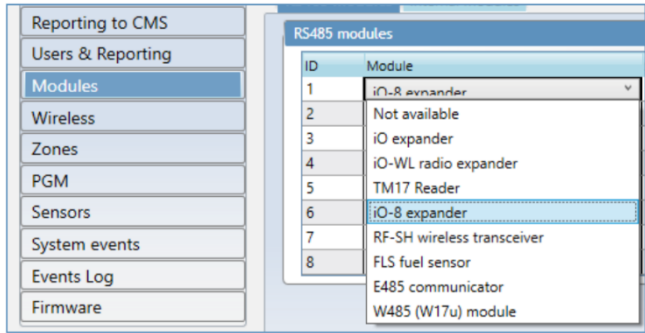
The input wiring diagrams and resistor values are determined by the main unit (**SP231**, **SP3**, **CG17**, **G16**, **G16T**, **E16**, **E16T**, **G17F**) to which the *iO-8* module is connected.

3. Wire outputs as shown:

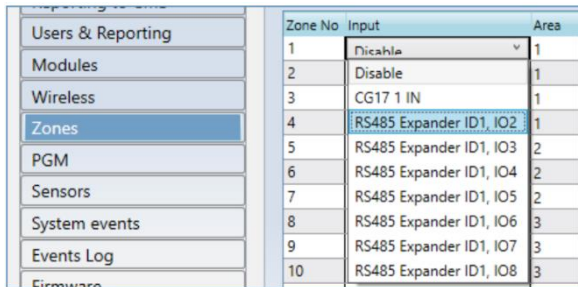


4. Connect a USB cable to the main **TRIKDIS** device and open **TrikdisConfig** software. Press **Read [F4]**.

- Go to **Modules window**, and click on a free row in the “**RS485 modules**” pane. Select “**iO-8 expander**” in the drop-down list as shown:



- Enter **iO-8 Serial No.** (numbers only) in the cell to the right. You will find this number on the sticker on **iO-8**.
- In the **Input** and **PGM Output** drop-down menu selection (**Zones** and **PGM window**), you will now see the **iO-8** inputs and outputs, which you can enable:



The setup may differ depending on the main **TRIKDIS** device. Configure settings for zones and PGM outputs according to the manual of the main device.

- Once finished, press **Write [F5]** and disconnect USB cable.
- Trigger the inputs and switch outputs to test the installation.