

# 100V WALL MOUNT SPEAKER

## BP-PA-SP20W-WM

### Features

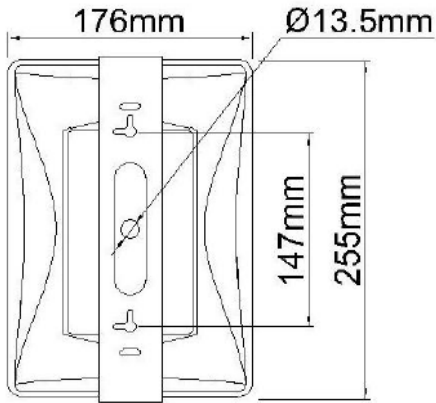
- Input 70V / 100V
- Wide Freq. Resp.: 95Hz-20KHz
- Max SPL: 103±2dB
- High sensitivity: 90±2dB
- Wall mount type loudspeaker
- Metal grille and ABS enclosure of black color
- Equipped with hanging holes for mounting convenient



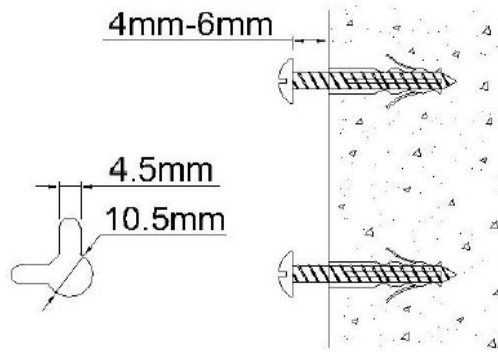
### Specifications:

Model: BP-PA-SP20W-WM			
Speaker unit	4"×1, 1"×1		
Rated power	20W		
Input sensitivity (1M, 1W)	Constant voltage	70/100V	
	Constant resistance	8Ω	
	90 ± 2dB		
Contrast Max SPL (1M)	103 ± 2dB		
Freq. Response	95Hz - 20kHz		
Weight	2.6 kg		
Dimension (H × W × D)	255 × 176 × 170mm		

## Hanging hole



## Nail for mounting



## Installation

1. Fit two Ø4mm nails on wall where it is needed to install a speaker system.
2. Connect audio broadcasting wire to the speaker according to the table below.

Terminal	Input Voltage		Constant resistance
	Power	Constant voltage	
Red--White	70V	100V	8Ω
	30W	-	30W
	15W	30W	
	8W	15W	
	5W	8W	
	2.5W	5W	

## Note

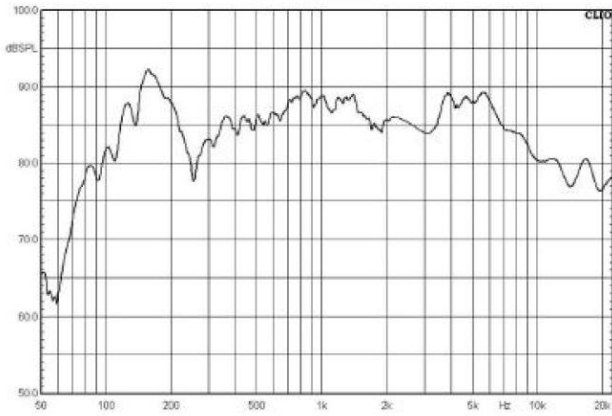
When the audio line is the constant voltage, prohibit the knob to the 8Ω.

Prohibit to adjust to "----" under state at 100V cause speaker damage!

3. Position the speaker, then adjust the direction of it and examine whether it is steady.

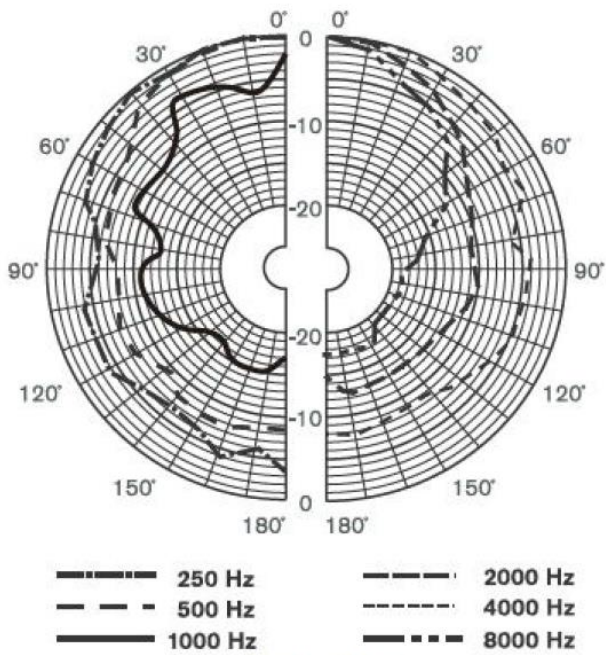
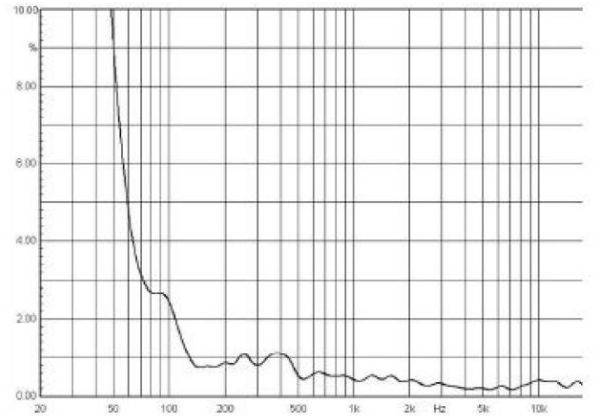
## Freq. response

(dB SPL, 1W, 1m)

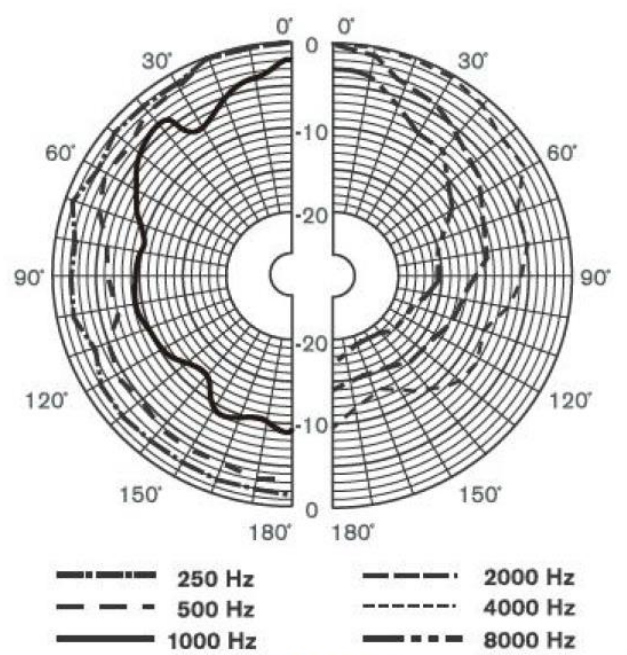


## Distortion

(THD < 1.5% 1W, 1m, 200Hz-12kHz)

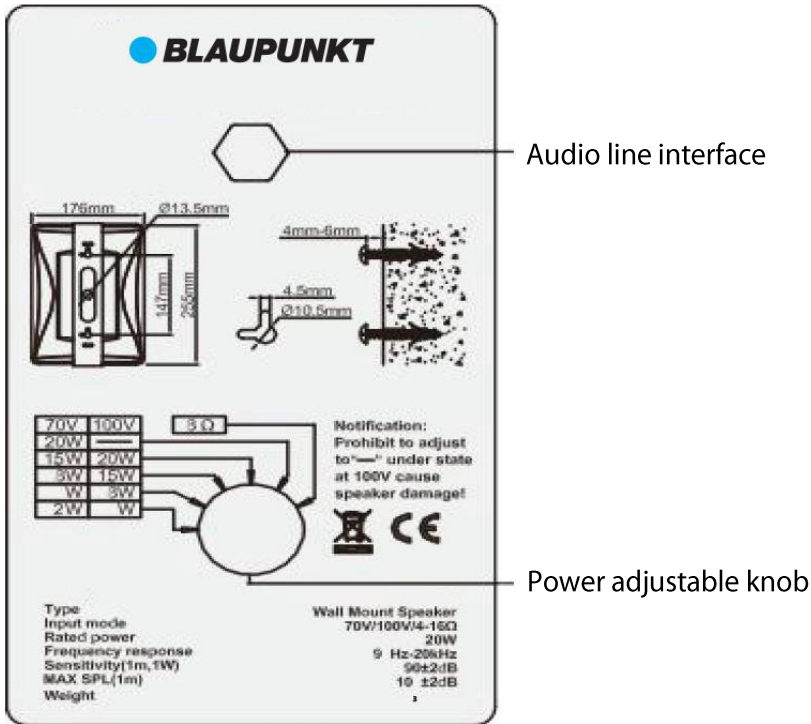


Vertical directivity pattern



Horizontal directivity pattern

## Power adjustment knob



Power Terminal	Voltage	Constant voltage		Constant resistance
		70V	100V	8Ω
Red---white		20W	—	20W
		15W	20W	
		8W	15W	
		4W	8W	
		2W	4W	

Notification:

When the audio line is the constant voltage, prohibit the knob to the 8Ω. Prohibit to adjust to "---" under state at 100V cause speaker damage!