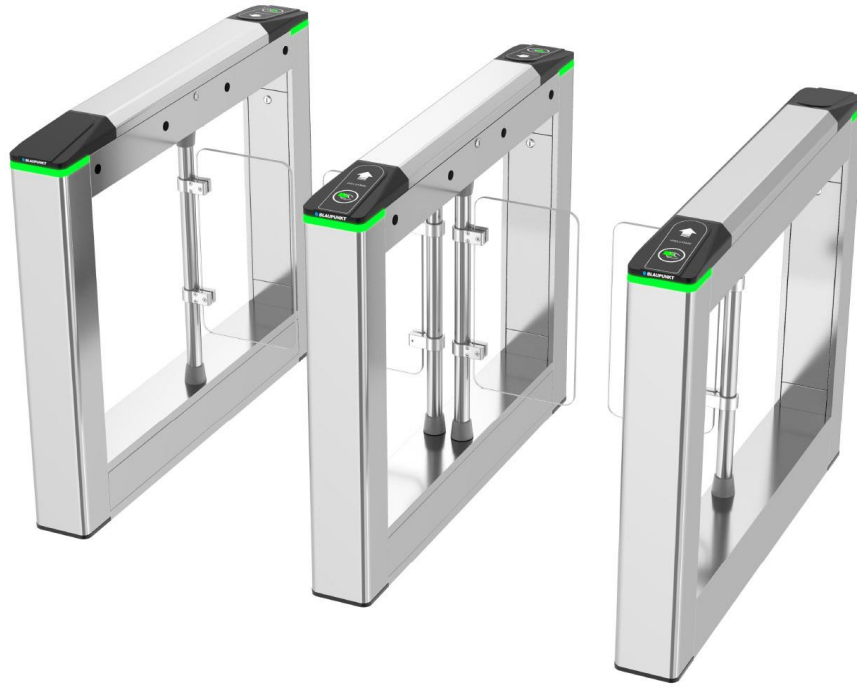


Swing Barrier

BP-SB326

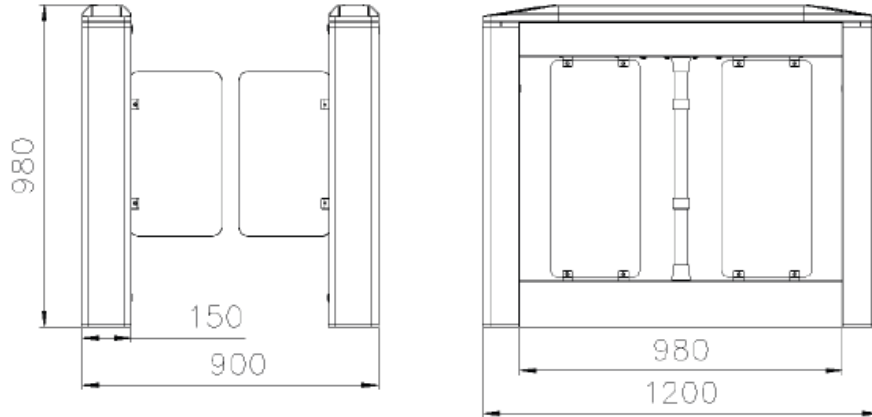


Specifications

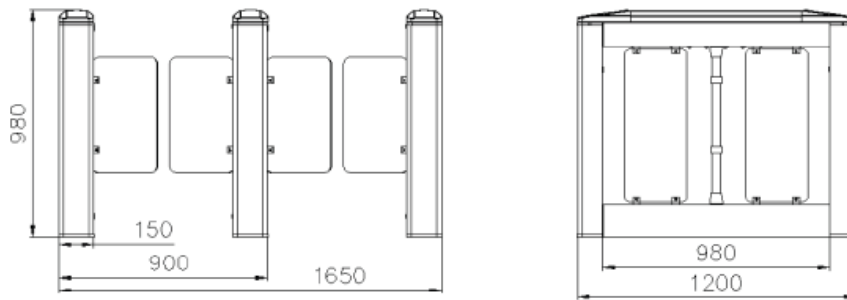
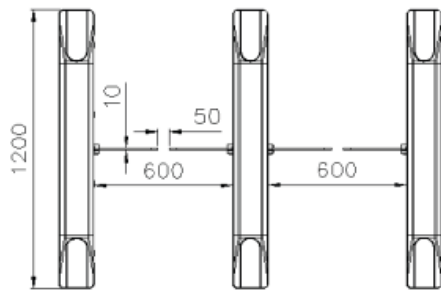
- Housing material: SUS304 stain steel
- Housing dimension: 1200*150*980mm (L*W*H)
- Supply voltage: 220 V \pm 10%/50Hz
- Output voltage: DC 24V
- Working current: 5A
- Drive motor: DC brushless motor DC24V 40W/60K 1800rpm Communication
- interface: TTL232
- Input interface: 2 gates opening signals, 1 _re signal
- Infrared quantity: 4 pairs infrared input
- Alarm output: 1 alarm output/built-in buzzer alarm
- Voice interface: 1 voice interface
- Hardware protection: short circuit protection/reverse connection protection
- protection Working temperature: -25°C ~ +75°C
- Passing speed: 35 ~ 50 people/min
- Emergency measures: free passage when power-off

Dimensions

Appearance and dimension for Acrylic Style



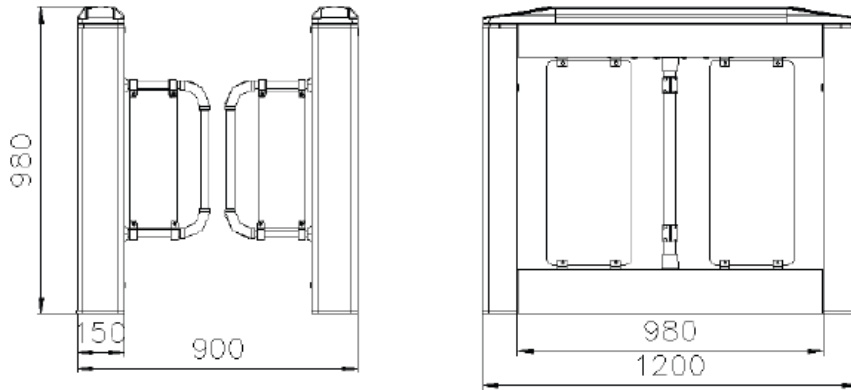
Single channel Appearance and Dimension



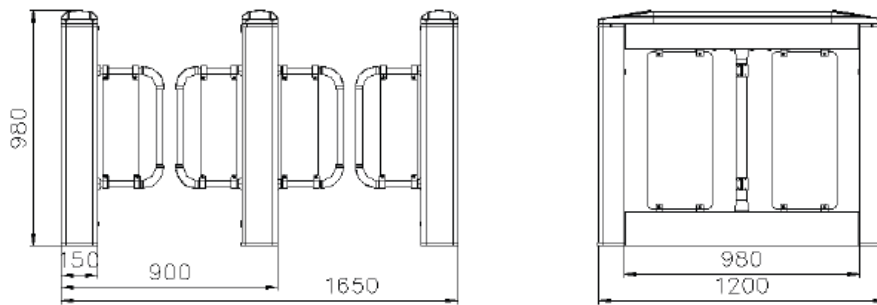
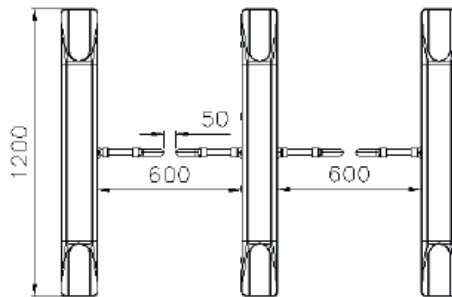
Double channel Appearance and Dimension

Instruction: There are single core and double core for swing barrier which is able to be combined as single channel, double channels or even more channels freely. The standard width of lane is **600mm**, max can be **950mm**.

Appearance and size for stainless dimension style



Single Channel Appearance and Dimension



Double Channel Appearance and Dimension

Instruction: There are single core and double core for swing barrier, which is able to be combined as single channel, double channels or even more channels freely. The standard width of lane is **600mm**, max can be **950mm**.