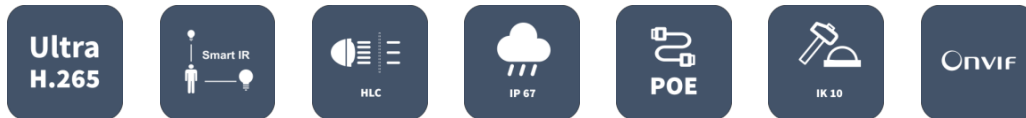


2MP Vandal-resistant Network IR Fixed Dome Camera

HYU-CC-CIDF12003



Key Features



- High quality image with 2MP, 1/2.7" CMOS sensor
- Ultra 265, H.265, H.264, MJPEG
- Day/night functionality
- Smart IR, up to 30m (98ft) IR distance
- IP67 protection
- IK10 vandal resistant
- 2-axis

Specifications

Model	HYU-CC-CIDF12003			
Camera				
Sensor	1/2.8", 2.0 megapixel, progressive scan, CMOS			
Minimum Illumination	Colour: 0.01Lux (F2.0, AGC ON) 0 Lux with IR			
Day/Night	IR-cut filter with auto switch (ICR)			
Shutter	Auto/Manual, 1 ~1/100000s			
Adjustment Angle	Pan: 3° to 360°, Tilt: 0° to 75°			
S/N	>52dB			
WDR	DWDR			
Lens				
Lens Type	2.8mm@2.0			
Angle of View (H)	106.7°			
Angle of View (V)	57.1°			
DORI				
DORI Distance	Detect (m)	Observe (m)	Recognize (m)	Identify (m)
	43.4	17.4	8.7	4.3
Illuminator				
IR Range	Up to 30m (98t) IR range			
Wavelength	850nm			
IR On/Off Control	Auto/Manual			
Video				
Video Compression	Ultra 265, H.265, H.264			
H.264 code profile	Baseline profile, Main profile, High profile			
Frame Rate	Main Stream: 1080P (1920*1080), Max 30fps; 720P (1280*720), Max 30fps Sub Stream: D1 (720*576), Max 30fps; 640*360, Max 30fps; 2CIF(704*288), Max 30fps; CIF(352*288), Max 30fps;			
Video Bit Rate	128kbps ~ 16Mbps			
OSD	Up to 4 OSDs			
Privacy Mask	Up to 4 areas			
ROI	Up to 8 areas			
Motion Detection	Up to 4 areas			
Image				
White Balance	Auto/Outdoor/Fine Tune/Sodium Lamp/Locked/Auto2			
Digital Noise Reduction	2D/3D DNR			
Smart IR	Supported			
Flip	Normal/Vertical/Horizontal/180°			
Dewarping	N/A			
HLC	Supported			
BLC	Supported			

Network

Protocols	IPv4, IGMP, ICMP, TCP, UDP, DHCP, RTP, RTSP, RTCP, DNS, DDNS, NTP, UPnP, HTTP
Compatible Integration	API
Client	GuardStation, Guardview

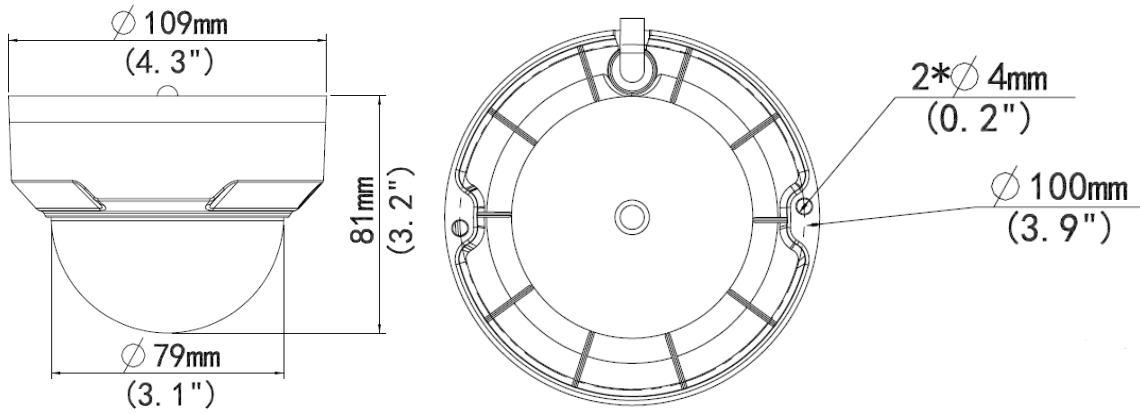
Interface

Network	1 * RJ45 10M/100M Base-TX Ethernet
---------	------------------------------------

General

Power	DC 12V±25%, PoE (IEEE 802.3af)
	Power consumption: Max 5.0W
Dimensions (L x W x H)	Φ109 x 81mm (Ø4.3" x 3.2")
Weight	0.35kg (0.77lb)
Material	Metal + Plastic
Working Environment	-30°C ~ 60°C (-22°F ~ 140°F), Humidity: ≤95% RH (non-condensing)
Storage Environment	-30°C ~ 60°C (-22°F ~ 140°F), Humidity: ≤95% RH (non-condensing)
Surge Protection	4KV
Ingress Protection	IP67
Vandal Resistance	IK10

Dimensions



Accessories

HYU-CC-AJB03G



HYU-CC-AWM03D

