

4MP Mini IR Fixed Bullet Network Camera

HYU-CC-CIBF14002



Key Features



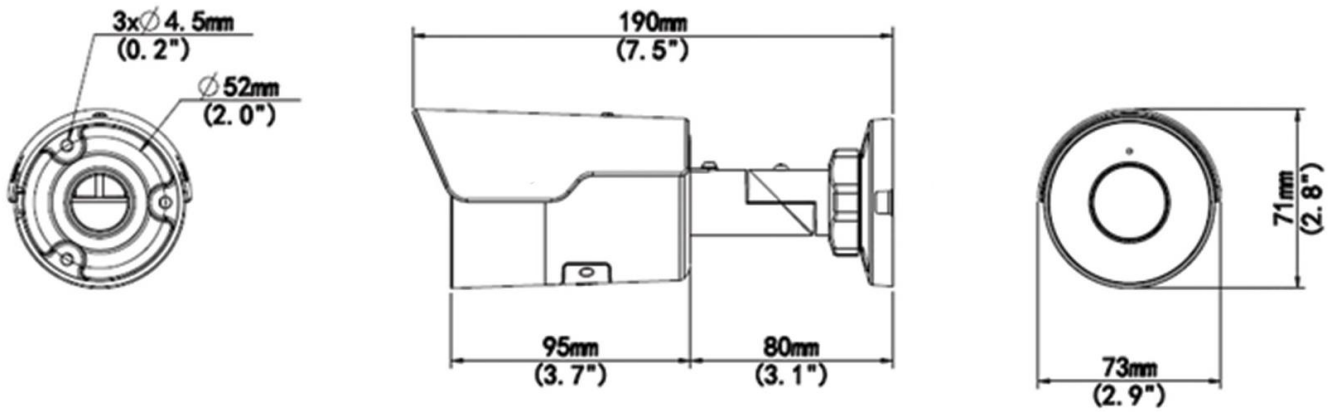
- High quality image with 4MP, 1/3"CMOS sensor
- 4MP (2688*1520)@ 25/20fps; 4MP (2560*1440)@ 25/20fps; 3MP (2304*1296) @30/25fps; 2MP (1920*1080)@30/25fps
- 120dB true WDR technology enables clear image in strong light scene
- Ultra 265, H.265, H.264, MJPEG
- Support 9:16 Corridor Mode
- Built-in Mic
- Smart IR, up to 50m (164ft) IR distance
- Supports 256Gb Micro SD card
- IP67 protection
- Support PoE supply
- 3-Axis

Specifications

Model	HYU-CC-CIBF14002			
Camera				
Sensor	1/3", 4.0megapixel, progressive scan, CMOS			
Minimum Illumination	Colour: 0.003Lux (F1.6, AGC ON) 0 Lux with IR			
Day/Night	IR-cut filter with auto switch (ICR)			
Shutter	Auto/Manual, 1 ~1/100000s			
Adjustment Angle	Pan: 0° to 360°, Tilt: 0° to 360°			
S/N	>56dB			
WDR	120dB			
Lens				
Lens Type	4.0mm@2.0, Fixed-focal			
Lens Mount	M12			
Angle of View (H)	83.7°			
Angle of View (V)	44.9°			
Angle of View (O)	89.2°			
DORI				
DORI Distance	Detect (m)	Observe (m)	Recognize (m)	Identify (m)
	90.0	36.0	18.0	9.0
Illuminator				
IR Range	Up to 50m (164ft) IR range			
Wavelength	850nm			
IR On/Off Control	Auto/Manual			
Video				
Video Compression	Ultra 265, H.265, H.264, MJPEG			
H.264 code profile	Baseline profile, Main profile, High profile			
Frame Rate	Main Stream: 4MP (2688*1520), Max 25fps; 4MP (2560*1440), Max 25fps; 3MP (2304*1296), Max 30fps; 1080P (1920*1080), Max 30fps; Sub Stream: 720P (1280*720), Max 30fps; D1 (720*576), Max 30fps; 640*360, Max 30fps; 2CIF (704*288), Max 30fps; CIF (352*288), Max 30fps			
Video Bit rate	128Kbps ~ 16Mbps			
U-Code	Supported			
9:16 Corridor Mode	Supported			
OSD	Up to 4 OSDs			
Privacy Mask	Up to 4 areas			
ROI	Up to 8 areas			
Motion Detection	Up to 4 areas			
Image				
White Balance	Auto/Outdoor/Fine Tune/Sodium Lamp/Locked/Auto2			
Image Setting	Image rotation, brightness, saturation, contrast, sharpness, gain adjustable by web browser			
Digital Noise Reduction	2D/3D DNR			
Smart IR	Supported			

Flip	Normal/Vertical/Horizontal/180°/90°Clockwise/90°Anti-clockwise
De-warping	N/A
HLC	Supported
BLC	Supported
Defog	Digital Defog
Audio	
Audio Compression	G.711
Suppression	Supported
Sampling Rate	8kHz
Storage	
Edge Storage	Micro SD, up to 256GB
Network Storage	ANR, NAS (NFS)
Network	
Protocols	IPv4, IGMP, ICMP, ARP, TCP, UDP, DHCP, RTP, RTSP, RTCP, RTMP, DNS, DDNS, NTP, FTP, UPnP, HTTP, HTTPS, SMTP, SSL/TLS, SNMP
Compatible Integration	ONVIF (Profile S, Profile G, Profile T), API, SDK
User/Host	Up to 32 users. 2 user levels: administrator and common user
Security	Password protection, Strong password, HTTPS encryption, Export operation logs, Basic and digest authentication for RTSP, Digest authentication for HTTP, TLS 1.2, WSSE and digest authentication for ONVIF
Client	GuardStation, Guardview
Interface	
Network	1 * RJ45 10M/100M Base-TX Ethernet
Build-in Mic	Supported
General	
Power	DC 12V±25%, PoE (IEEE 802.3af)
	Power consumption: Max 6.0W
Power Interface	Ø 5.5mm coaxial power plug
Dimensions (L x W x H)	167.3 × 62.9 × 62.7mm (6.6" × 2.5" × 2.5")
Weight	0.45kg (0.99lb)
Material	Metal
Working Environment	-30°C ~ 60°C (-22°F ~ 140°F), Humidity: ≤95% RH (non-condensing)
Storage Environment	-30°C ~ 60°C (-22°F ~ 140°F), Humidity: ≤95% RH (non-condensing)
Surge Protection	4KV
Reset Button	N/A
Ingress Protection	IP67

Dimensions



Accessories

HYU-CC-AUP06B



HYU-CC-AJB05B



HYU-CC-AJB06A

