

## SLIDING GATE OPENER

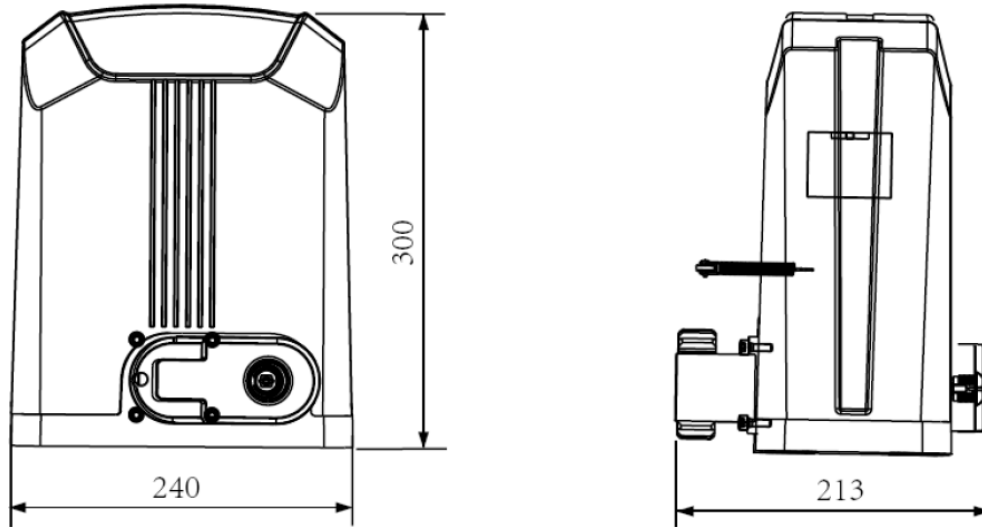
### BP-SLG800-24-KIT



## SPECIFICATION

Technical Parameters	
Power Supply	220V AC/50Hz
Motor working voltage	24VDC
Motor power	170W
Gate moving speed	16 ~ 18m / min
Maximum weight of gate	800kg
Remote control distance	≥30m
Remote control mode	Single button mode / Three button mode
Limit switch	Magnetic limit switch
Noise	≤58dB
Working duty	S2, 20min
Recording of up remote controls	25
Frequency	433.92 MHz
Working temperature	-20°C ~ +70°C
Package weight	11kg

## DIMENSIONS



## INSTALLATION DRAWING

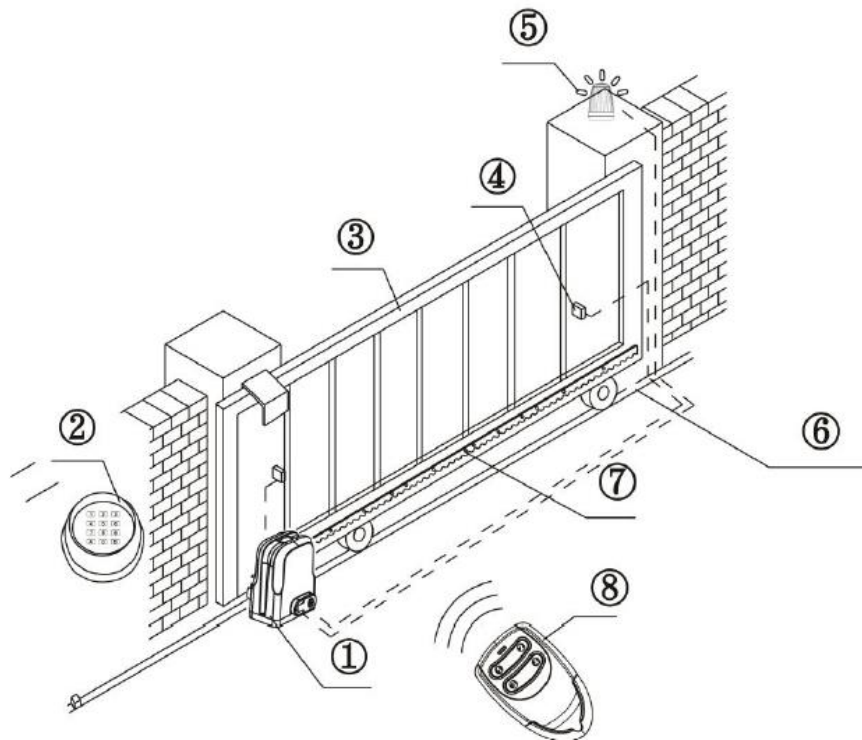


Figure 1

①	Gate Opener	③	Gate	⑤	Alarm Lamp(optional)	⑦	Gear Rack
②	Wireless Keypad(optional)	④	Infrared Sensor(optional)	⑥	Safety Door Stopper	⑧	Remote Control