

SWING GATE OPENER

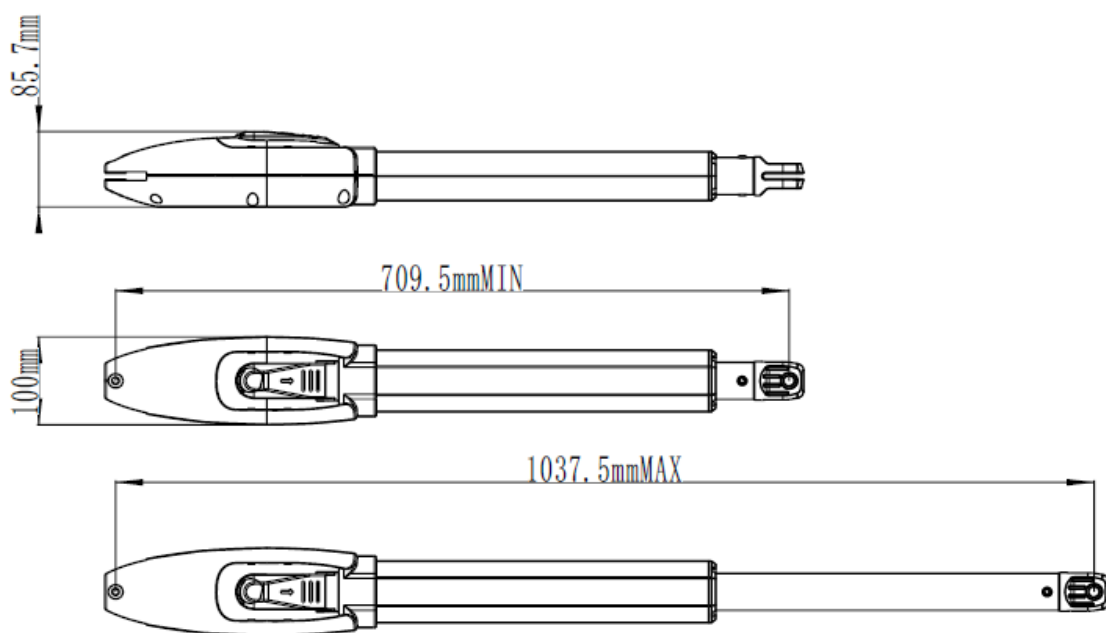
BP-SWG250-24-KIT



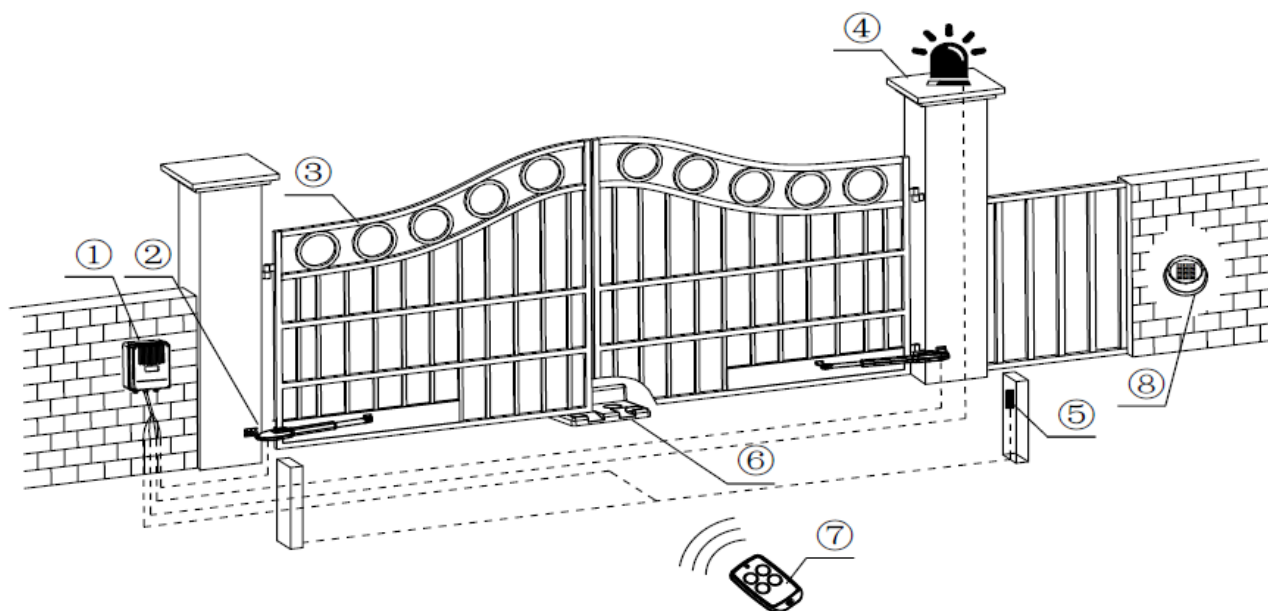
SPECIFICATION

Technical Parameters	
Power Supply	220V/50Hz
Motor power	50W
Gate moving speed	18 ~ 22s / 90°
Max. single-leaf weight	300kg
Max. single-leaf length	2.5M
Max. piston stroke	32cm
Max. force	2800N
Remote control distance	≥30m
Remote control mode	Single/Four button mode
Storage battery (optional)	DC24V (4.5Ah or 9Ah)
Noise	≤58dB
Recording of up remote controls	32
Remote frequency	433.92 MHz
Working temperature	-20°C ~ +70°C
Package weight	14kg

DIMENSIONS



INSTALLATION DRAWING



- ① Control box
- ② Gate opener
- ③ Gate
- ④ Alarm lamp (optional)
- ⑤ Infrared sensor (optional)
- ⑥ Limit stopper
- ⑦ Remote control
- ⑧ Wireless keypad (optional)