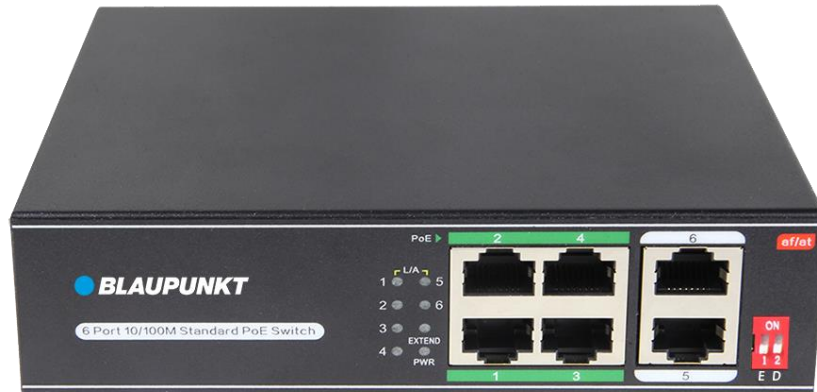


## 6-PORT 10/100M AI POE SWITCH

### BP-SWP-4EP2EL-65



### DESCRIPTION

The BP-SWP-4EP2EL-65 is a 10/100M unmanaged AI PoE switch. It has 4\*10/100Base-TX RJ45 ports and 2\*10/100Base-TX RJ45 ports. Port 1-4 can support IEEE802.3af/at standard PoE. single port PoE power reaches 30W, and the maximum PoE output power is 65W. It can support the watchdog function. When the port communication failure corresponds to the port POE will automatically restart, self-recover network communication, reducing manual intervention and maintenance. As a PoE power supply device, it can automatically detect and recognize the power receiving equipment that meets the standard and supply power through the network cable. It can supply power to POE terminal equipment such as wireless AP, webcam, VoIP phone, building visual access control intercom through network cable, to meet the network environment that needs high-density PoE power supply, suitable for hotels, campuses, parks, supermarkets, scenic spots, Factory quarters and SMB small and medium-sized enterprises form a cost-effective network.

Unmanaged mode, plug, and play, no configuration, easy to use

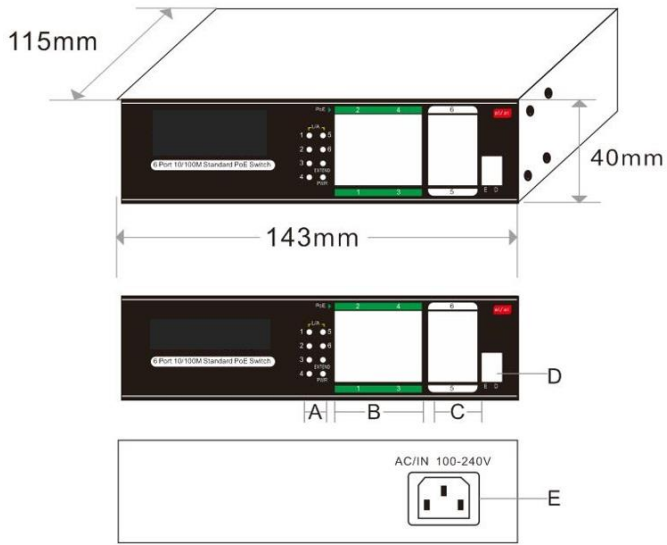
## FEATURES

- **10/100Mbps access, Dual RJ45 port uplink**
  - 6\*10/100Base-TX RJ45 ports allow users to flexibly network to meet the networking requirements of various scenarios.
  - Support non-blocking wire-speed forwarding.
  - Support full-duplex based on IEEE802.3x and half-duplex based on backpressure.
- **Intelligent PoE power supply**
  - 4\*10/100Base-TX PoE ports, meeting the needs of security monitoring, teleconferencing system, wireless coverage, and other scenarios
  - IEEE 802.3af/at PoE standard, without damaging non-PoE devices.
  - 4\*10/100Base-TX PoE ports can support the watchdog function, real-time detection of data communication status.
- **Innovative function**
  - Long-distance transmission and VLAN mode (E): When the switch status is "ON" (default OFF), Port 1-4 rate is 10M/250m transmission, the port physical VLAN isolated, broadcast storm, the transmission distance can up to 250m; solve the problem of poor transmission caused by line aging.
  - AI self-healing mode (D): When the switch status is "ON" (default OFF), port 1-4 can support the watchdog function and automatically detects the data communication status in real-time.
  - Power supply priority mode: the power supply priority function of PoE port is on by default, and the power output of the leftmost PoE port (port 1) is guaranteed in priority, so as to eliminate the potential safety hazard of overload use.
- **Stable and reliable**
  - CCC, CE, FCC, RoHS.
  - Plug and play, no configuration, easy to maintain.
  - Low power consumption, galvanized steel casing, no fan.
  - Self-developed power supply, high redundancy design, providing a long term and stable PoE power output.
  - The user-friendly panel, it can show the device status through the LED indicator of PWR, link and PoE.

## TECHNICAL SPECIFICATION

Model: BP-SWP-4EP2EL-65	
Interface Characteristics	
Fixed port	4*10/100Base-TX PoE ports (Data/Power) 2*10/100Base-TX uplink RJ45 ports (Data)
Ethernet port	Port 1-6 (1-10) can support 10/100BaseT (X) auto detect, full / half duplex MDI / MDI-X adaptive
Twisted pair transmission	10BASE-T: Cat3,4,5 UTP (≤100 meter) 100BASE-TX: Cat5 or later UTP (≤100 meter)
Functional switch	E file: long distance transmission and VLAN isolation function (Default: OFF, Use: ON);  D File: AI self-healing mode. When the network fails, PoE watchdog will restart the power supply of the device and automatically repair the network communication. (Default: OFF, Use: ON);  Note: The function switch can control different functions, which can be enabled separately and simultaneously.
Chip Parameter	
Network protocol	IEEE802.3 10BASE-T, IEEE802.3i 10Base-T IEEE802.3u 100Base-TX, IEEE802.3x
Forwarding mode	Store and Forward (Full Wire Speed)
Switching Capacity	1.6Gbps
Forwarding Rate@64byte	0.89Mpps
MAC	1k
Buffer Memory	768K
Jumbo Frame	1536byte
LED Indicator	Power: PWR (green), Network: link (yellow), PoE: PoE (green), functional switch: EXTEND (green)
PoE & Power	
PoE Port	Port 1 to 4 IEEE802.3af/at @ POE
Power supply Pin	Default 1/2 (+), 3/6 (-), Optional 4/5(+), 7/8(-)
Max Power per Port	30W, IEEE802.3af/at
Total PWR / Input Voltage	65W (100-240V)
Power Consumption	Standby <3W, Full load <65W
Power Supply	Built-in power supply, AC 100 ~ 240V 50-60Hz 1A
Physical Parameter	
Operation TEMP / Humidity	-20°C ~ +55°C; 5% ~ 90%, RH Non condensing
Storage TEMP / Humidity	-40°C ~ +80°C; 5% ~ 95%, RH Non condensing
Dimension (L*W*H)	143*115*40mm
Net /Gross Weight	<0.6kg / <1.0kg
Installation	Desktop, wall mounted
Certification & Warranty	
Lightning protection / protection level	Lightning protection: 4KV 8/20us; Protection level: IP30
Certification	CCC, CE mark, commercial, CE/LVD EN60950, FCC Part 15 Class B, RoHS
Warranty	1-year, lifelong maintenance

## DIMENSION



- A. Working indicator
- B. 4\*10/100M PoE ports
- C. 2\*10/100M uplink RJ45 ports
- D. Functional switch
- E. Power input port AC100-240V, 50/60Hz

## APPLICATION

